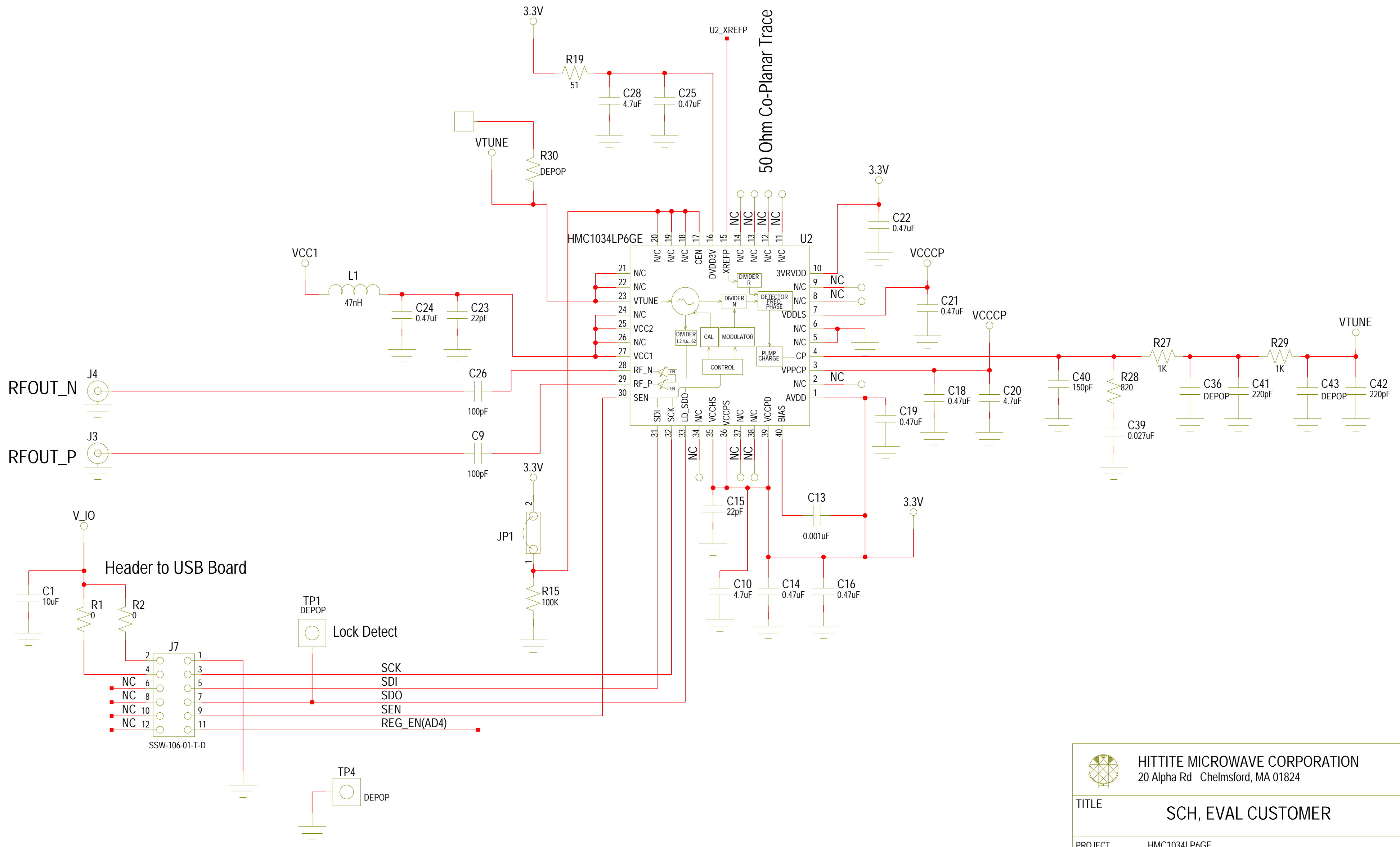



NOTICE OF PROPRIETARY PROPERTY: THIS DOCUMENT AND THE INFORMATION CONTAINED IN IT ARE THE PROPRIETARY PROPERTY OF HITTITE MICROWAVE CORPORATION. IT MAY NOT BE COPIED OR USED IN ANY MANNER NOR MAY ANY OF THE INFORMATION IN OR UPON IT BE USED FOR ANY PURPOSE WITHOUT THE EXPRESSED WRITTEN CONSENT OF AN AUTHORIZED AGENT OF HITTITE MICROWAVE CORPORATION.

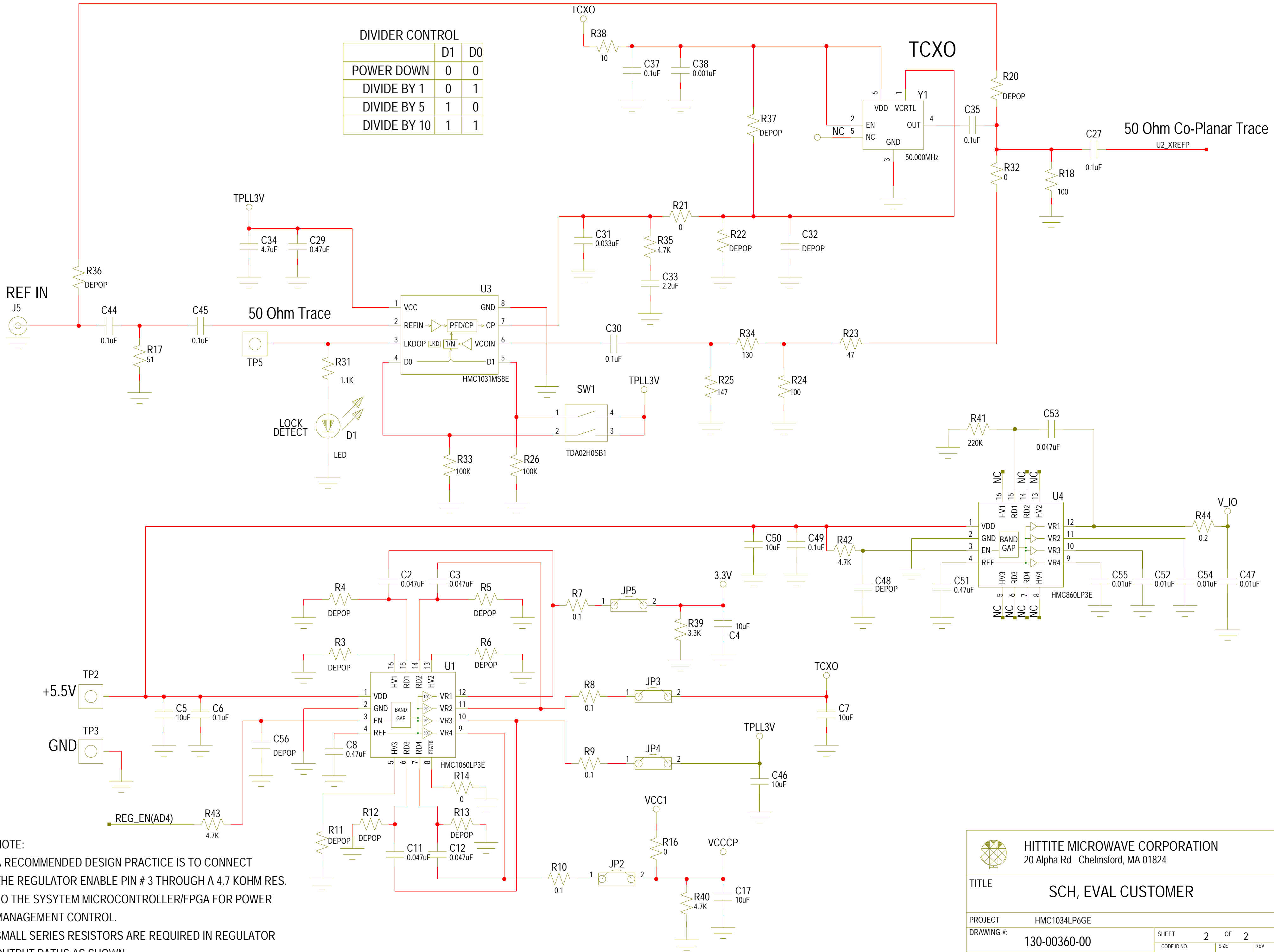
REVISIONS					
REV	ECN#	ZONE	DESCRIPTION	NAME	DATE
D	----	----	CHANGE AS PER CP120346	D. ACEVAL	04/09/2012
E	----	----	CHANGE AS PER CP121059	V. VADUVA	10/09/2012



 <b>HITTITE MICROWAVE CORPORATION</b> 20 Alpha Rd Chelmsford, MA 01824		TITLE	
		SCH, EVAL CUSTOMER	
PROJECT	HMC1034LP6GE		
DRAWING #:	130-00360-00		SHEET 1 OF 2
DRAWN BY	D.YOUNG	DATE	11/18/10
		CODE ID NO.	SIZE
		1CN88	C E

DIVIDER CONTROL

	D1	D0
POWER DOWN	0	0
DIVIDE BY 1	0	1
DIVIDE BY 5	1	0
DIVIDE BY 10	1	1



NOTE:  
 A RECOMMENDED DESIGN PRACTICE IS TO CONNECT THE REGULATOR ENABLE PIN # 3 THROUGH A 4.7 KOHM RES. TO THE SYSYEM MICROCONTROLLER/FPGA FOR POWER MANAGEMENT CONTROL.  
 SMALL SERIES RESISTORS ARE REQUIRED IN REGULATOR OUTPUT PATHS AS SHOWN

**HITTITE MICROWAVE CORPORATION**  
 20 Alpha Rd Chelmsford, MA 01824

TITLE: **SCH, EVAL CUSTOMER**

PROJECT: HMC1034LP6GE

DRAWING #: 130-00360-00

DRAWN BY: D.YOUNG DATE: 11/18/10

SHEET 2 OF 2	CODE ID NO. 1CN88	SIZE C	REV E
--------------	-------------------	--------	-------